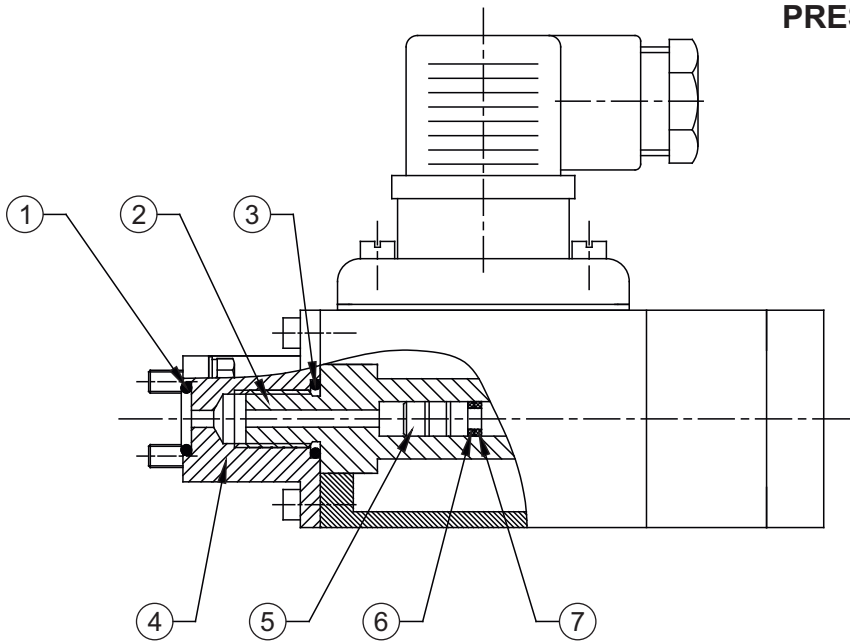


# HM/HO350 HYDRAULIC PRESSURE SWITCHES



## PRESSURE CAPSULE DETAILS



- No. Description**
1. O Ring
  2. Pressure Housing
  3. Sealing Ring
  4. Block
  5. Piston
  6. O Ring
  7. Backup ring

Note : *wetted parts* are mentioned in italics.

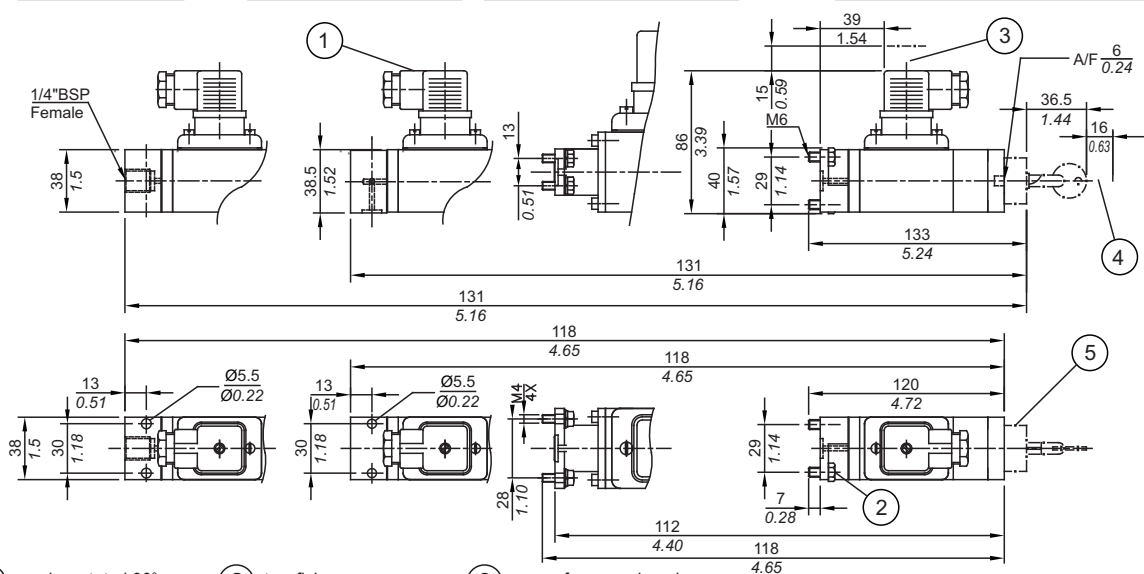
## INSTALLATION DRAWING

For line mounting

For subplate mounting

For Vert. Stack. CD 13x28

For vert. stack. CD 29 Diagonally



- ① can be rotated 90°
- ② two fixing screws
- ③ space for removing plug
- ④ space for removing key
- ⑤ lockable protective cap

APPROX. DIMENSIONS IN  $\frac{\text{mm}}{\text{inches}}$

# HYDRAULIC PRESSURE SWITCHES HM/HO350

## GENERAL INFORMATION :

HM series pressure switches have a pressure die-cast aluminium powder coated enclosure and are recommended for manifold mounting hydraulic applications. The repeat accuracy is better than  $\pm 1\%$  FSR. A connector to DIN 43650 is provided for wiring. Mainly intended for high pressure hydraulic presses.

## FEATURES :

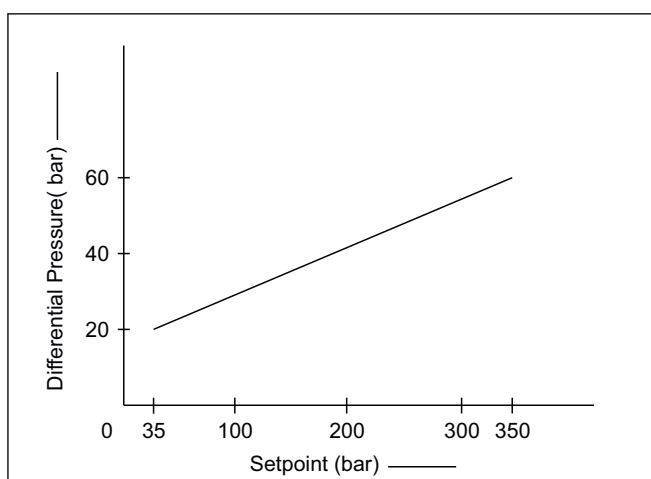
- Compact
- Lightweight
- Three mounting styles
- Lockable protective cap to avoid tampering (optional)
- Choice of wetted parts to suit working media
- Electrical rating : 5A, 250VAC; 0.2A, 250 VDC (res.)

**Some Applications :** Used in high/low pressure alarms in CNC machines, compressors, hydraulic power packs, manifolds/stacks with sandwich plates, etc.

## Range Selection Table

Range Code	Range (rising pressure) bar (psi)	Approximate Maximum Differential* bar (psi)	Maximum Working Pressure bar (psi)
HM350	35 - 350 (507.63 - 5076.32)	60 (870.22)	500 (7251.89)

\* Differential rises with setpoint



## How to order HM350 Hydraulic pressure switches

Group 1	Group 2	Group 3	Group 4	Group 5	Group 6
Model	Range Code	Base Type	Protective Cap	Wetted Parts	Enclosure
HM 350- Hydraulic Pressure Switch  HO 350- Hydraulic Pressure Switch	350	S - for Subplate mounting. L - for line Mounting V - for vertical Stacking (2 mounting holes) R - for vertical Stacking (4 mounting holes)	U - without any protective cap P - with a lockable protective cap	M - for Standard Wetted parts	0 - IP 65 as per IS60529

Eg. A hydraulic pressure switch, pressure range from 35 bar to 350 bar, as a subplate mounting element without a lockable protective cap and standard wetted parts with a standard enclosure shall be specified by

Group 1	Group 2	Group 3	Group 4	Group 5	Group 6
HM	350	S	U	M	0

Please specify full model number to avoid ambiguity. If only the first two groups are specified while ordering, uncalibrated switches with standard wetted parts and enclosures will be supplied.